

# OPR 3201

Laser Scanner



The OPR 3201 barcode laser scanner with pistol grip and auto-triggerstand delivers reliable scanning performance using Opticon's proven scanning technology.

## Product Features

### Light and Stable

The OPR 3201 only weighs 80 grams, which is considerably light for a gun type scanner. Opticon adapted a large grip and positioned the scanning parts near the central core of the grip to stabilize hand movement while scanning. It releases operators from the physical load and it is easier to target the objective barcodes.

### Fast scanning

High Performance laser scanner provides a fast and accurate reading and is immediately ready for the next scan, even when barcodes are printed with low contrast or high density.

### Plug and Scan

The plug and play ability of the OPR 3201 enables quick connection and provides the ability to put the scanning performance to immediate operation.

### Hands-on or Hands-Free Scanning

The supplied auto trigger feature of the scanner and the complementing stand initiates automatic scanning and allows the user to operate instantly and handsfree. When manual control is preferred the scanner can also be operated as stand-alone unit.

Cabled

Mobile

Stationary

OEM

**OPTICON**  
always scanning for new ID's

# Specifications: OPR 3201 Imaging Scanner

## Electrical

Voltage requirement:	5V ± 10% (Keyboard Wedge and USB), 6 V (min. 4.5, max. 6.5 V) (RS232)
Current consumption:	max. 100 mA (typical use)

## Optical

Light source:	650 nm visible laser diode
Scan method:	Bi-directional scanning
Scan rate:	100 scans/sec
Reading pitch angle:	-35° to 0°, 0 to 35°
Reading skew angle:	-50° to 8°, +8 to +50°
Reading Tilt angle:	-20° to 0°, 0 to +20°
Curvature:	R > 15 mm (EAN8), R > 30 mm (EAN13)
Min. Resolution 0.9:	0.127 mm / 5 mil
Min. PCS value:	0.45
Depth of field at PCS 0.9, Code 39	
	40 - 500 mm / 1.57 - 19.69 in (Res. 1.0 mm / 39 mil)
	20 - 350 mm / 0.79 - 13.78 in (Res. 0.5 mm / 20 mil)
	20 - 200 mm / 0.79 - 7.87 in (Res. 0.25 mm / 10 mil)
	20 - 100 mm / 0.79 - 3.94 in (Res. 0.15 mm / 6 mil)
	30 - 70 mm / 1.18 - 2.76 in (Res. 0.127 mm / 5 mil)

## Symbologies

1D: JAN/UPC/EAN (WPC incl. add-on), Chinese Post, Codabar/NW-7, Code 11, Code 39, Code 93, Code 128, IATA, Industrial 2of5, Interleaved 2of5, ISBN-ISMN-ISSN, Korean Postal Authority code, Matrix 2of5, MSI/Plessey-UK/Plessey, RSS, S-Code, Telepen, Tri-Optic, Composite Codes  
 2D: MicroPDF417, PDF417

## Communication

Interface:	RS232C, Keyboard Wedge, USB(HID/VCP)
------------	--------------------------------------

## Environmental

Operating temperature:	-5 to 50 °C / 23 to 122 °F
Storage temperature:	-20 to 60 °C / -4 to 140 °F
Operating humidity:	5 - 95 % (non-condensing)
Storage humidity:	5 - 95 % (non-condensing)
Ambient light immunity:	3,000 lx (fluorescent) 3,000 lx (incandescent) 50,000 lx (sunlight)
Shock drop test:	1.5 m / 5 ft onto concrete surface
Vibration:	10 - 100 Hz with 2 G for 1 hour
Ingress Protection:	IP42

## Physical

Dimensions:	56 x 109 x 149 mm / 2.20 x 4.29 x 5.87 in
Weight Body:	Ca. 80 g / 2.8 oz (excl. cable)
Available colors:	Black / White
Connector RS232:	DB9 F
Connector USB:	USB-A
Connector Keyboard Wedge:	MiniDIN6

## Stand

Dimensions:	ST-3201 (w xd): 146 x 106 mm / 5.75 x 4.17 in, (h): 295 mm / 11.61 in (excl. scanner)
Purpose:	Auto-trigger stand
Connector USB:	USB-A

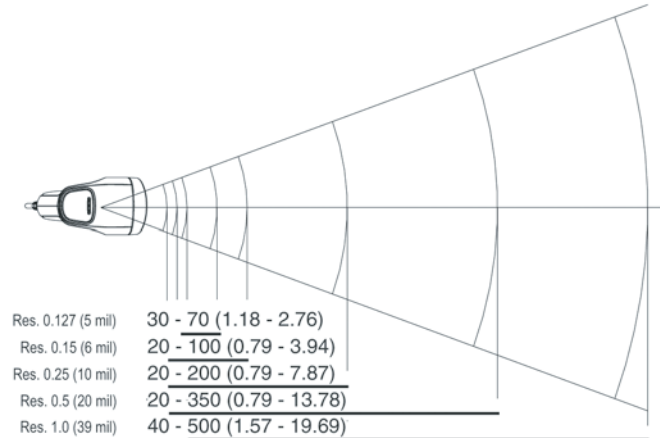
## Regulatory

Laser Safety:	JIS-C-6802 Class 2, IEC 60925-1 Class 2, FDA CDRH Class II
Product compliance:	CE, FCC, VCCI, RoHS

Typical performance based on good quality symbols in normal room temperature and light conditions.

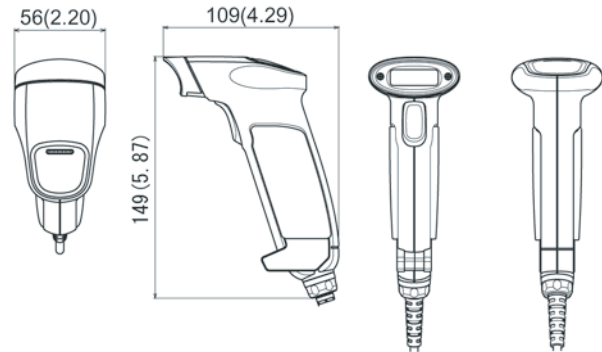
## Depth of field

The reading width is a calculated value and is for guidance only.  
 Unit: mm (in)



## Dimensions

Unit: mm (in)



## Enclosed Items

AC Adapter for RS232C

## Conditions

To be determined: Ordering quantity, Ordering of scanner with or without dedicated stand STD 3201

© Copyright Opticon. All rights reserved. This information is subject to change without prior notice.

Version:

- USA: Renton, WA
- Japan: Warabi City
- The Netherlands: Hoofddorp
- France: ISSY Les Moulineaux CEDEX
- Germany: Dietzenbach
- Italy: Castel Maggiore (BO)
- Spain: Valencia
- Sweden: Järfälla
- United Kingdom: Luton, Bedfordshire

- Taiwan: Taipei
- P.R.China: Shanghai
- Australia: Kariang

Opticon, Inc.  
 2220 Lind Ave. SW, STE 100  
 Renton, WA 98057  
 U.S.A.  
 Toll free: 800-636-0090  
 Local: 425-651-2120  
 Fax: 425-454-0865  
 Email: sales@opticonUSA.com  
 Internet: www.opticonUSA.com

www.opticonUSA.com  
**OPTICON**  
 always scanning for new ID's

