



1D LASER

# OPR 2001

Laser Barcode Scanner



The sleek OPR 2001 barcode reader features a compact and modern design yet is lightweight and delivers reliable performance using Opticon's proven scanning technology.



## Product Features

### Compact and Modern Design

The sophisticated design of the OPR 2001 blends well with today's modern office furniture and accessories while using very little counter space.

### Hands-Free Scanning

Integrated auto-trigger while in complementing stand automatically initiates scanning to allow hands-free operation.

### Lightweight Construction

At just 60 g (2.1 oz) this ultra-lightweight, yet solid scanner withstands the rigors of daily use and can withstand multiple drops of up to 1.5 m (5 ft) onto concrete.

### High Performance Laser Scanner

High performance laser scanner provides a fast and accurate first time scan and is immediately ready for the next scan even when the barcodes are printed with low contrast or high density.

Cabled

Wireless

Stationary

OEM

**OPTICON**  
always scanning for new ID's

## Specifications

### OPR 2001 Laser Barcode Scanner

#### Electrical specifications

Voltage requirement: 5 V  $\pm$  10 % (Keyboard Wedge and USB), 6 V (min. 4.5, max. 6.5 V) (RS232)  
Current consumption: max. 150 mA

#### Optical specifications

Light source: 650 nm visible laser diode  
Scan method: Bi-directional scanning  
Scan rate: 100 scans/sec  
Reading pitch angle: -35 to 0°, 0 to +35°  
Reading skew angle: -50 to -8°, +8 to +50°  
Reading tilt angle: -20 to 0°, 0 to +20°  
Curvature: R>15 mm (EAN8), R>20 mm (EAN13)  
Reading width: depending on reading distance and barcode label resolution  
Min. resolution at PCS 0.9: 0.127 mm / 5 mil  
Min. PCS value: 0.45  
Depth of field: at PCS 0.9, Code 39  
40 - 500 mm / 1.57 - 19.69 in (res. 1.0 mm / 39 mil),  
20 - 350 mm / 0.79 - 13.78 in (res. 0.5 mm / 20 mil),  
20 - 200 mm / 0.79 - 7.87 in (res. 0.25 mm / 10 mil),  
20 - 100 mm / 0.79 - 3.94 in (res. 0.15 mm / 6 mil),  
30 - 70 mm / 1.18 - 2.76 in (res. 0.127 mm / 5 mil)

#### Communication specifications

Available interfaces: Keyboard Wedge, RS232C, USB(HID/VCP)

#### Identification

Supported barcode symbologies (1D): JAN/UPC/EAN (WPC) incl. add on, Chinese Post, Codabar/NW-7, Code 11, Code 39, Code 93, Code 128, IATA, Industrial 2of5, Interleaved 2of5, ISBN-ISMN-ISSN, Korean Postal Authority code, Matrix 2of5, MSI/Plessey-UK/Plessey, RSS, S-Code, Telepen, Tri-Optic, Composite codes  
Supported 2D code symbologies: MicroPDF417, PDF417

#### Functionality

Trigger mode: manual, auto-trigger

#### Environmental specifications

Temperature in operation: -5 to 50 °C / -23 to 122 °F  
Temperature in storage: -20 to 60 °C / -4 to 140 °F  
Humidity in operation: 20 - 85 % (non-condensing)  
Humidity in storage: 10 - 90 % (non-condensing)  
Ambient fluorescent light rejection: 3,000 lx max.  
Ambient direct sun light rejection: 50,000 lx max.  
Ambient incandescent light rejection: 3,000 lx max.  
Shock drop test: 1.5 m / 5 ft drop onto concrete surface  
Shock vibration test: 10 - 100 Hz with 2G for 1 hour  
Protection (dust and moisture, IEC529): IP 42

#### Physical specifications

Dimensions: 56 x 151 x 31 mm / 2.20 x 5.94 x 1.22 in  
Case material: ABS  
Weight body: Ca. 60 g / 2.1 oz  
Connector Keyboard Wedge: MiniDIN6 F/M  
Connector RS232: DB9 with external power  
Connector USB: USB-A

#### Stand

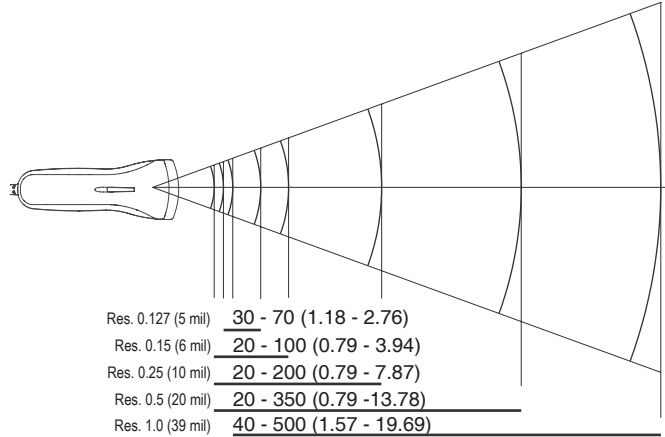
Dimensions: ST-90: 100 x 175 x 127 mm / 3.94 x 6.89 x 5.00 in (excl. scanner)  
Weight: Ca. 115 g / 4.1 oz  
Purpose: Auto-trigger stand

#### Regulatory

Laser safety class: JIS-C-6802 Class 2, IEC 60825-1 Class 2, FDA CDRH Class II  
Product compliance: CE, FCC, VCCI, RoHS

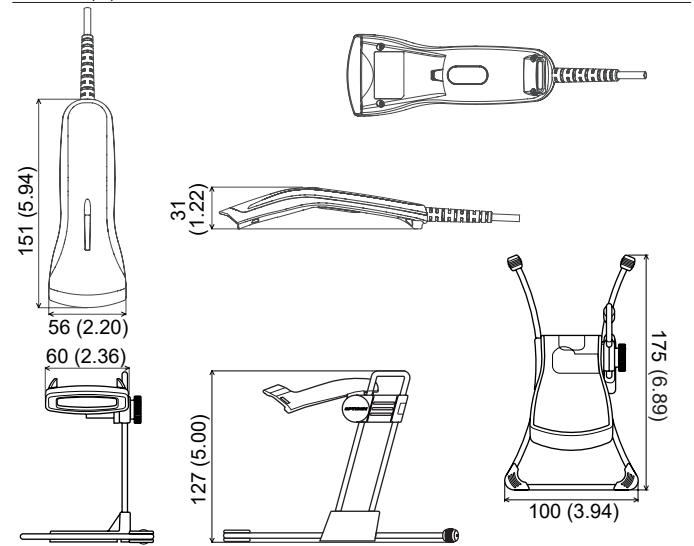
#### Depth of field

Unit: mm (in)



#### Dimensions

unit: mm (in)



#### Accessories

Sold separately  
Power supply: 6V (External power for RS232)



### SBE Direct

30, rue de PENTHIEVRE - 75008 PARIS  
TEL : 01. 42. 25. 23. 23. FAX : 01. 42. 25. 44. 00.  
Site Web : [www.sbedirect.com](http://www.sbedirect.com)  
Courriel : [contact@sbedirect.com](mailto:contact@sbedirect.com)